

SPACE STEP

Taking Storage to New Heights



An Innovative Combination

Transform previously unused toe kick space with SPACE STEP. This innovative solution not only enhances storage possibilities, but also serves as a discreet step. Whether gaining access to high cabinets or using as a convenient seat to put on shoes, the potential is limitless.

Contents

- 4 Utilize Every Inch
- 6 Providing Easy Access
- 8 Ease Of Use
- 10 Prioritizing Safety
- 12 Enhanced Convenience
- 14 Ordering Information
- 16 Planning
- 22 Assembly and Removal
- 30 moving ideas



Utilize Every Inch

Sneak more storage options into available space with SPACE STEP.
Not only will this clever concept give you easier access to tall cabinets,
it also creates another layer of available storage space.





Versatility in Application

Made to fit a variety of applications, SPACE STEP can be used in three different toe kick designs. It's also fully customizable, ranging from 150 mm (5-7/8") to a maximum of 250 mm (9-13/16") in height.



Recessed toe kick



Recessed low toe kick



Flush toe kick

Providing Easy Access

With SPACE STEP, even tall wall cabinets are within easy reach. The built-in step allows you to reach storage items in high cabinets while eliminating the need for a step stool.



Combining Applications

When combined with other Blum solutions, such as AVENTOS, SPACE STEP becomes even more functional. Since AVENTOS lift systems move doors up and out of the way, users have full freedom of movement and easier access to the highest shelves while using SPACE STEP.



Systematic Design

Planning a SPACE STEP into a SPACE TOWER pantry unit creates extra storage under the step and also allows users to see and reach the top shelf of the unit.



Ease of Use

SPACE STEP is integrated with Blum's soft-close BLUMOTION technology so the drawer closes softly and effortlessly each time. For added user convenience, combine SPACE STEP with TIP-ON BLUMOTION or SERVO-DRIVE for a touch-to-open experience.



Each of our motion technologies can be used individually, and each has its own special strengths.



**SERVO-DRIVE**

by Blum

**TIP-ON
BLUMOTION**

by Blum

BLUMOTION

by Blum

Functional Convenience

SERVO-DRIVE is Blum's electrical motion support system that allows cabinets to open with a single touch anywhere on the front. Blum also offers this technology in a mechanical option called TIP-ON BLUMOTION. With these added features, cabinets still close softly with BLUMOTION.



Prioritizing Safety

SPACE STEP was designed with safety in mind. The toe kick solution provides a sturdy platform that is firmly held in place by a special anti-slip system.



Anti-slip System

Activated by a weight of 18 pounds, the anti-slip system securely locks the SPACE STEP in position when extended. The step surface can support a maximum load of 330 pounds when constructed properly.

New Bathroom Designs

Wide or narrow, high or low, color-coordinated or not – introduce accents and personality with SPACE STEP.

Enhanced Convenience

Planning SPACE STEP into applications throughout the home provides homeowners easy access to their items where they didn't even realize they would need it. Now that's attentive service.

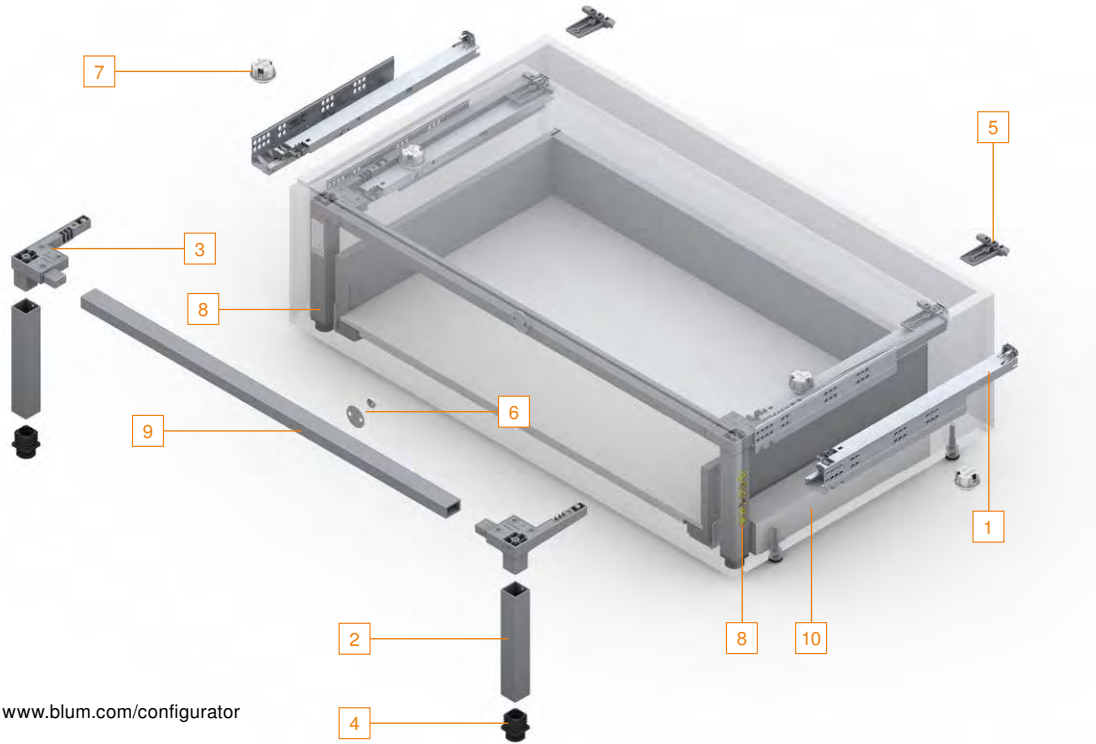
Universal in Application

For kitchens, bathrooms, living rooms and other living areas – SPACE STEP improves quality of living throughout the home. The toe kick solution also has diverse applications in the commercial sector.





Ordering Information



www.blum.com/configurator

SPACE STEP set

Consisting of:

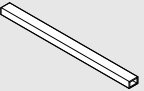
- 1 2 x TANDEM 561Hxxx1B95 left/right
- 2 2 x vertical support
- 3 2 x corner connector
- 4 2 x support foot
- 5 2 x rear panel bracket
- 6 1 x front connector set (magnet and catch plate)
- 7 4 x spring bumper*
- 8 2 x sticker (safety information and manufacturer information)
- 14 x flat head screw (4 mm x 15 mm)
- 1 x installation instructions

* Recommendation: For outside cabinet widths greater than 900 mm (35-7/16"), we recommend using all four spring bumpers

Part no.

SPACE STEP set for 425 mm (16-3/4") length step	Z95.4100
SPACE STEP set for 475 mm (18-11/16") length step	Z95.4600

9 Horizontal aluminum profile

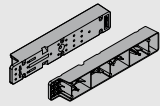


- Cutting dimensions:
Inside cabinet width - 130 mm (5-1/8")
- Recommendation:
Outside cabinet width 1200 mm (47-1/4"), use 2 pieces to prevent excessive bending

Part no.

For cutting to size Z95Q1040A

10 Cabinet profile/Runner spacer (recommended)

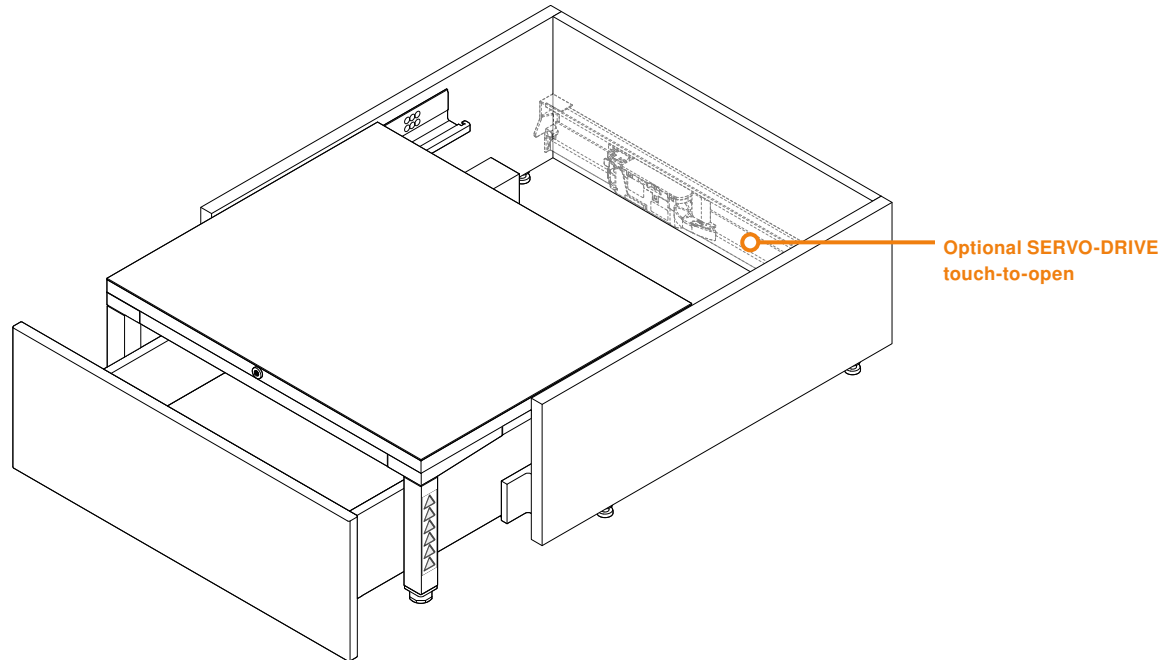


- For mounting the runners, suitable for all Blum box and runner systems
- Two required per drawer

Part no.

Non-handed spacer Z95D4100

Ordering Information



i

Notes

Maximum load: 330 lb - As the manufacturer, you are responsible for determining the actual load capacity of your cabinet with integrated SPACE STEP as per EN-14183.

Possible cabinet heights: The possible cabinet heights for the SPACE STEP are 150 mm (5-7/8") - 250 mm (9-13/16")

Material recommendation: A 3-layer board (3S) or equivalent multi-layer core material at least 21 mm (13/16") thick is recommended for the toe kick step.

Step surface recommendation: The step surface must be anti-slip. This can take the form of an anti-slip mat directly applied to the step surface or by using anti-slip panel material.

Attaching the labels: EN-14183 requires both of the labels enclosed to be clearly displayed.

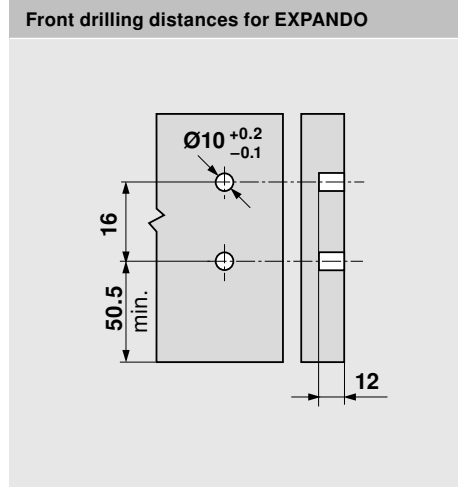
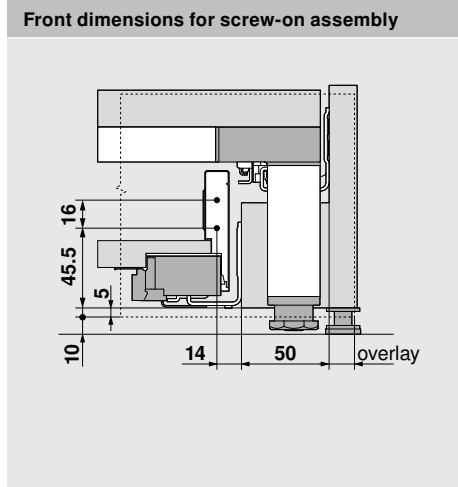
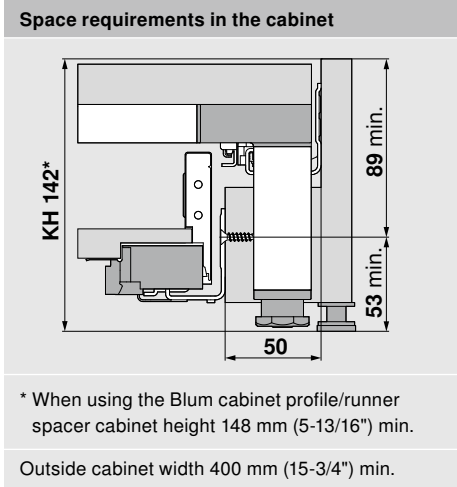
Drawer underneath SPACE STEP: Only standard duty Blum runners or box systems may be used. The dynamic load capacity for the drawer underneath SPACE STEP is 45 lb.

Cabinet above SPACE STEP: If storage items are kept on the cabinet base above SPACE STEP, we recommend preventing the base from bowing or sagging. This will help ensure that SPACE STEP doesn't rub against the cabinet base.

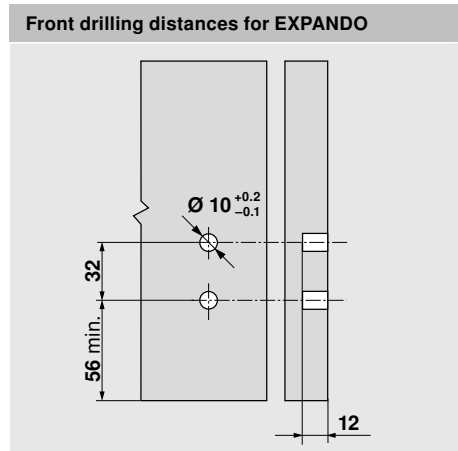
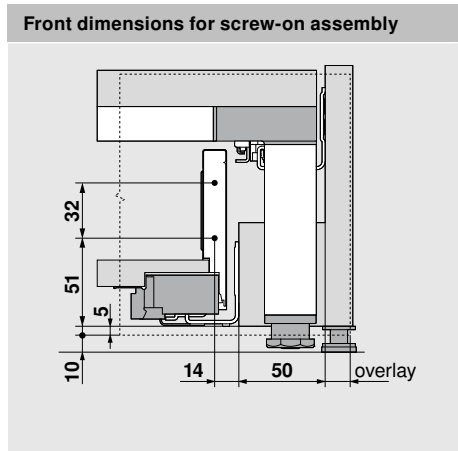
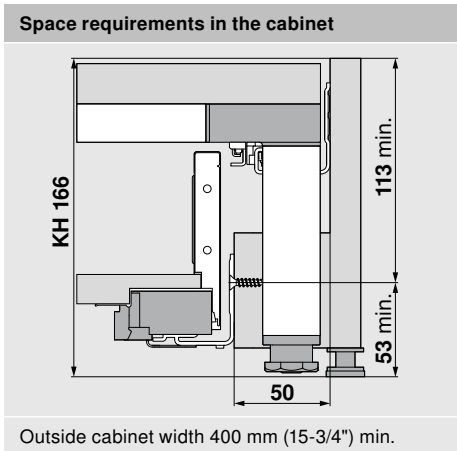
TIP-ON BLUMOTION: When using TIP-ON BLUMOTION, we recommend the use of the heavy duty (L5) unit.

Planning

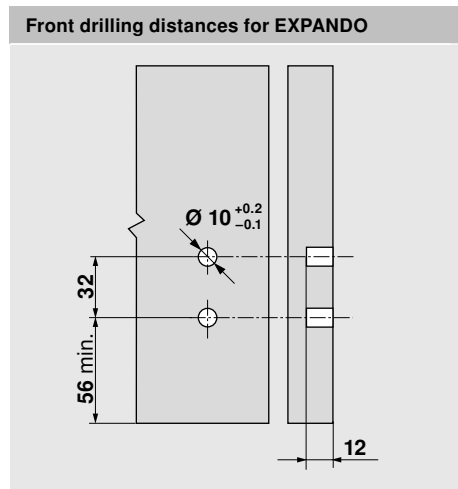
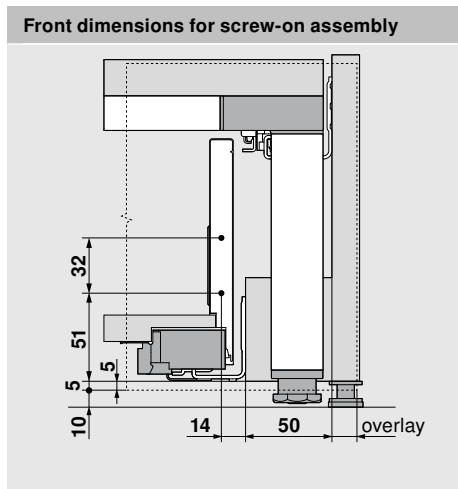
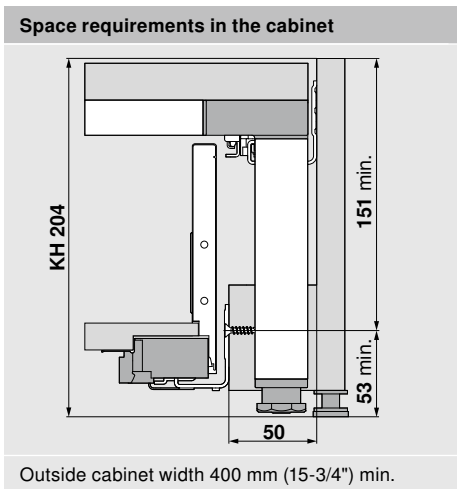
LEGRABOX – N Height



LEGRABOX – M Height



LEGRABOX – K Height

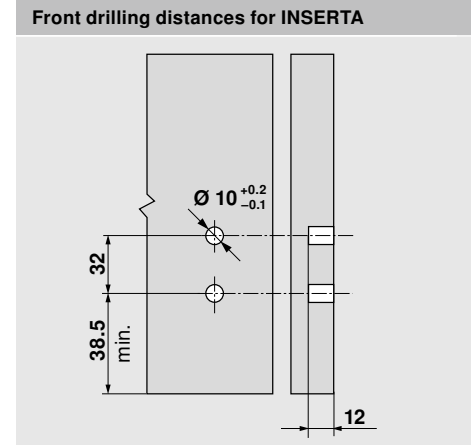
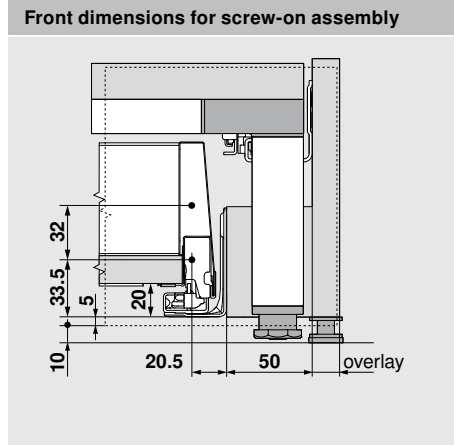
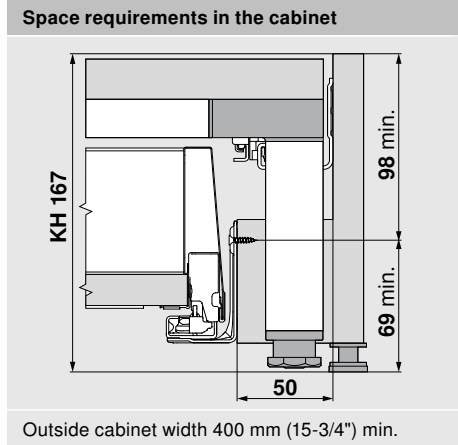


KH = Cabinet height

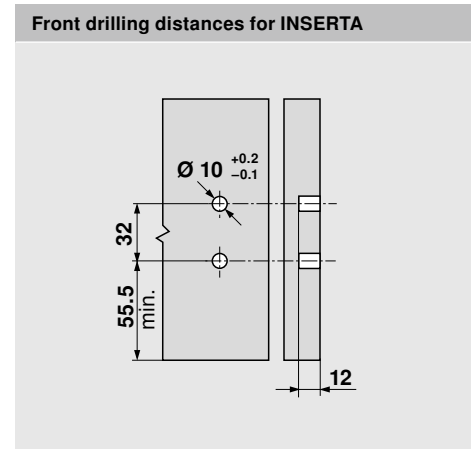
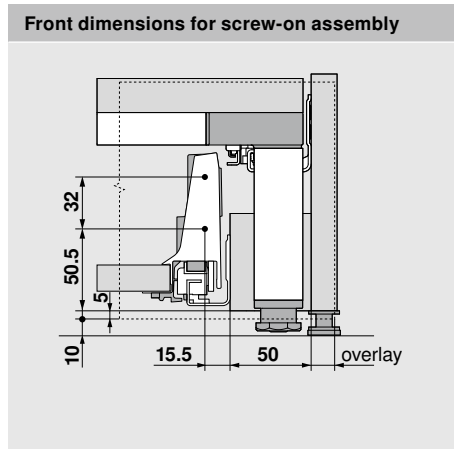
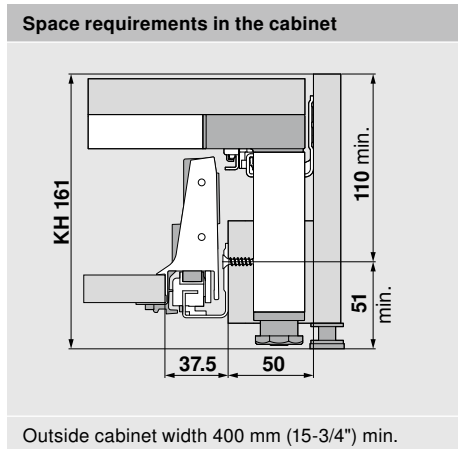
Installation dimensions with a step thickness of at least 21 mm (13/16") – without anti-slip mat

Planning

MERIVOBX – M Height



TANDEMBOX – M Height



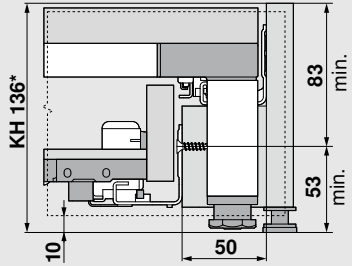
KH = Cabinet height

Installation dimensions with a step thickness of at least 21 mm (13/16") – without anti-slip mat

Planning

MOVENTO

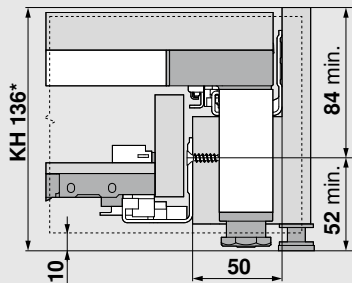
Space requirements in the cabinet



* When using the Blum cabinet profile/runner spacer cabinet height 148 mm (5-13/16") min. Outside cabinet width 400 mm (15-3/4") min., with SERVO-DRIVE 450 mm (17- 11/16") min.

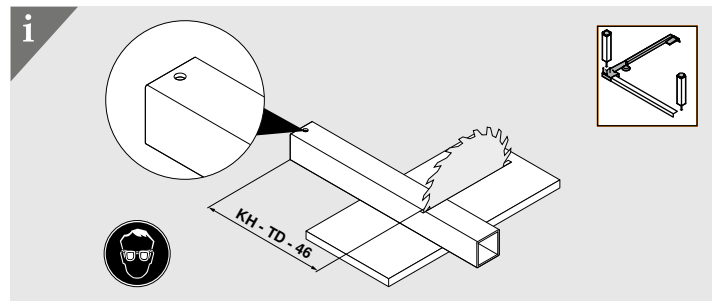
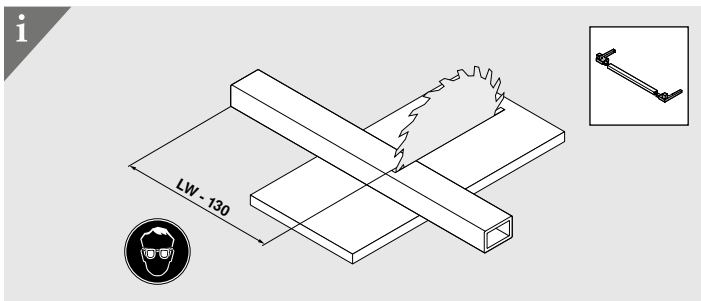
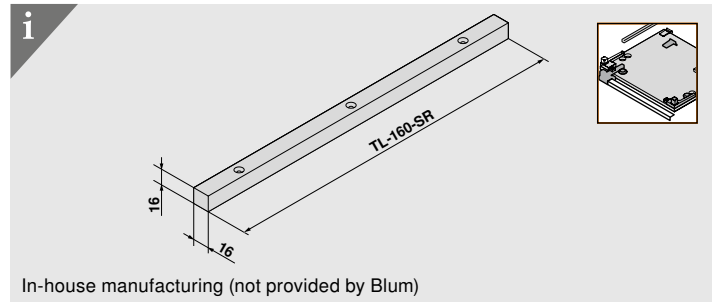
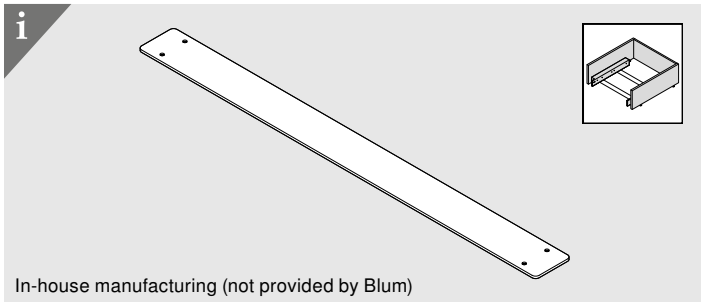
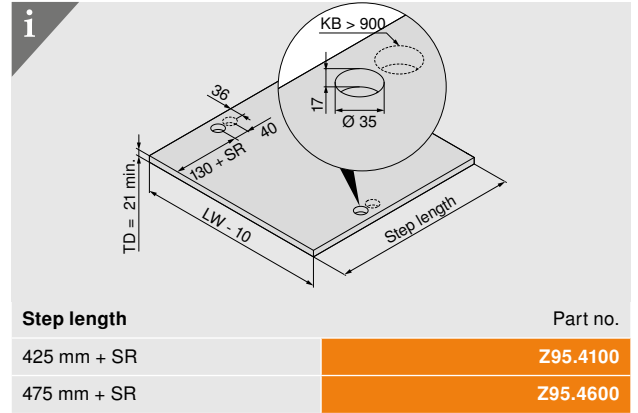
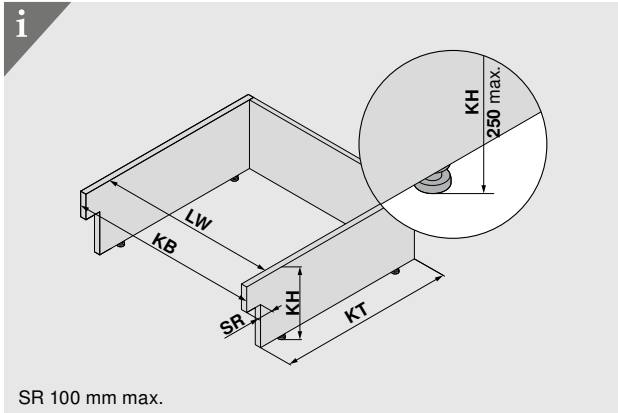
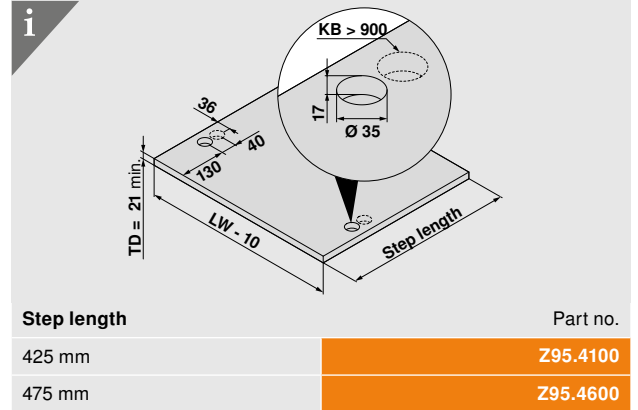
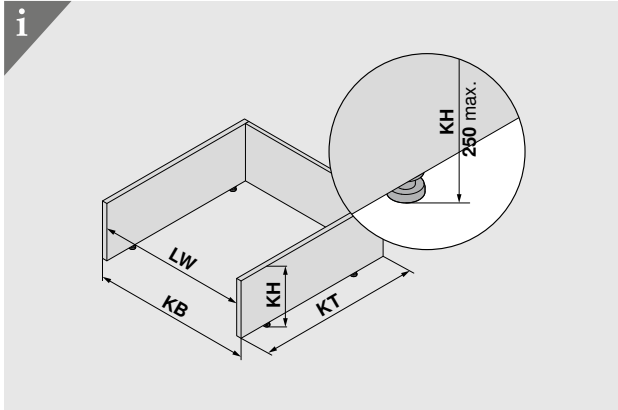
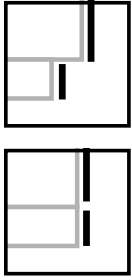
TANDEM

Space requirements in the cabinet



* When using the Blum cabinet profile/runner spacer cabinet height 148 mm (5-13/16") min. Outside cabinet width 400 mm (15-3/4") min., with SERVO-DRIVE 450 mm (17-11/16") min.

Planning

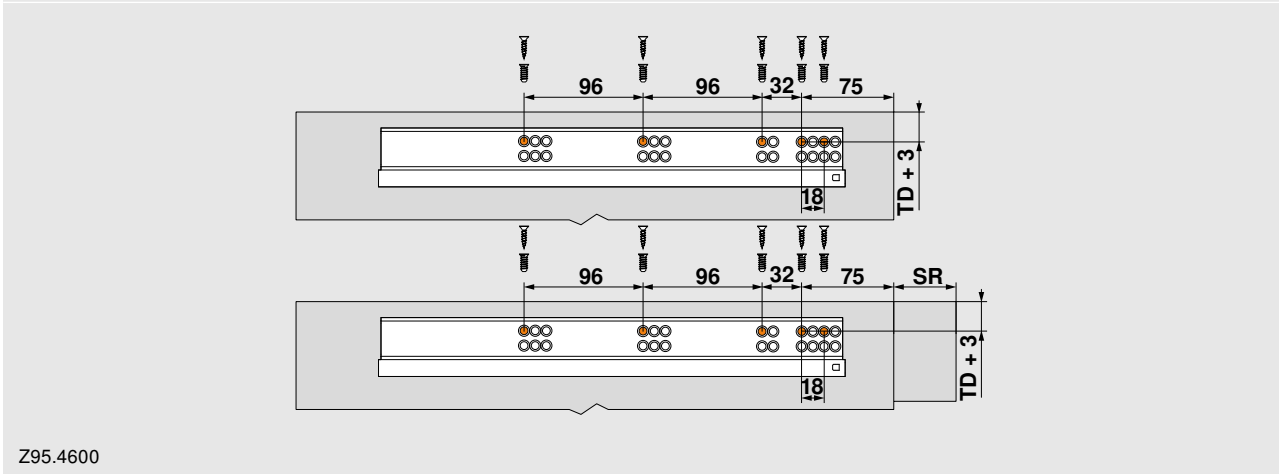
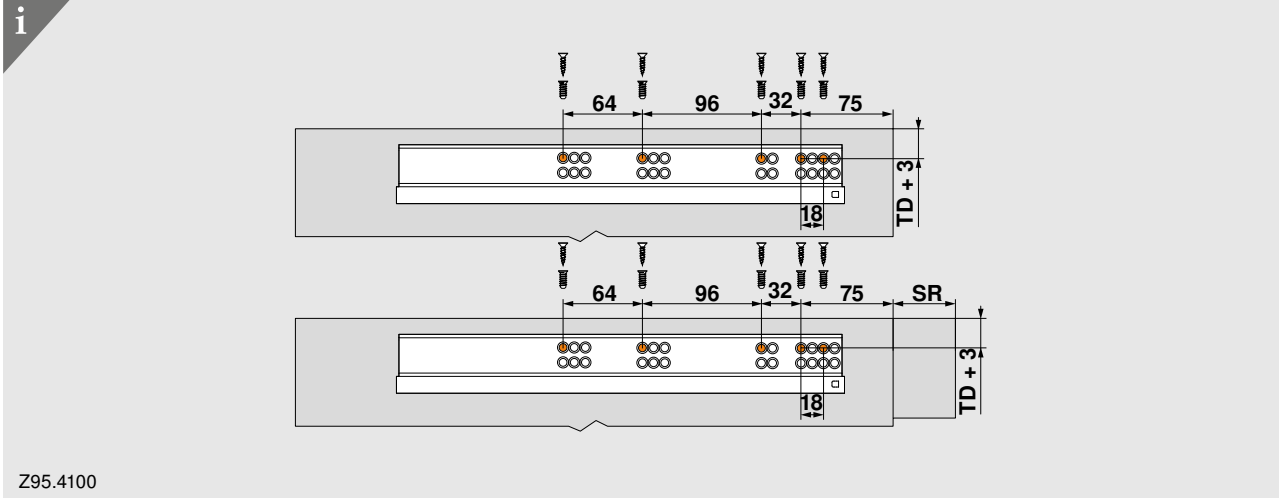
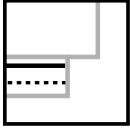


KH = Cabinet height
KB = Outside cabinet width

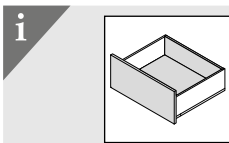
KT = Cabinet depth
LW = Inside cabinet width

SR = Toe kick recess
TD = Step thickness (including anti-slip material)
TL = Step length

Planning

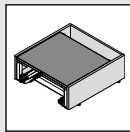


Runner Systems


Drawer Length

≤ 457 mm (18")

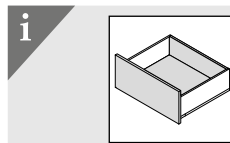
> 457 mm (18")


Part no.

Z95.4100

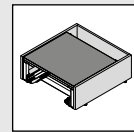
Z95.4600

Box Systems


Actual Cabinet Profile Length

≤ 450 mm (17-11/16")

> 450 mm (17-11/16")


Part no.

Z95.4100

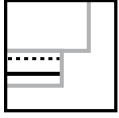
Z95.4600

ACPL = Actual cabinet profile length

SR = Toe kick recess

TD = Step thickness (including anti-slip material)

Planning



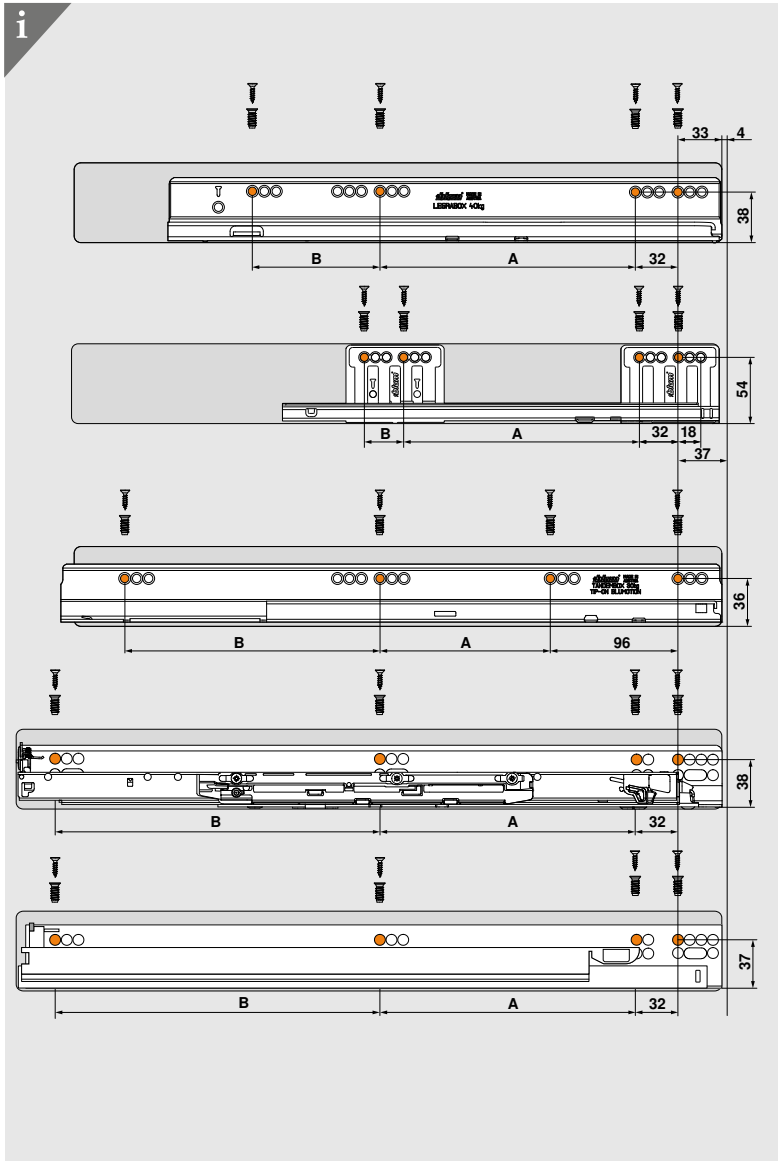
LEGRABOX

MERIVOBX

TANDEMBOX

MOVENTO

TANDEM



For wood cabinet profile/runner spacer use wood or system screws
 For Blum cabinet profile/runner spacer use system screws

LEGRABOX (mm)		
A	B	Part no.
192	288	750.5501S
192	224	750.5001S
192	224	750.4501S

MERIVOBX (mm)		
A	B	Part no.
192	32	450.5501B
192	32	450.5001B
192	32	450.4501B

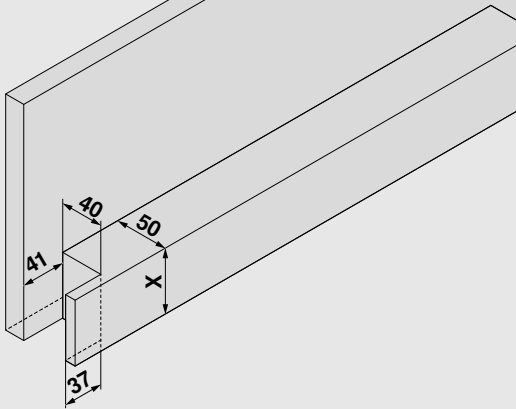
TANDEMBOX (mm)		
A	B	Part no.
128	192	578.5501S
128	192	578.5001S
128	96	578.4501S

MOVENTO 763 (mm)			
A	B (763.)	B (763H)	Part no.
192	288	448	763(./H)5330S
192	288	384	763(./H)4570S
96		288	763(./H)3810S

TANDEM 563 (mm)			
A	B (563.)	B (563H/F)	Part no.
192		448	563(./H/F)5330B
192	N/A	384	563(./H/F)4570B
96		288	563(H/F)3810B

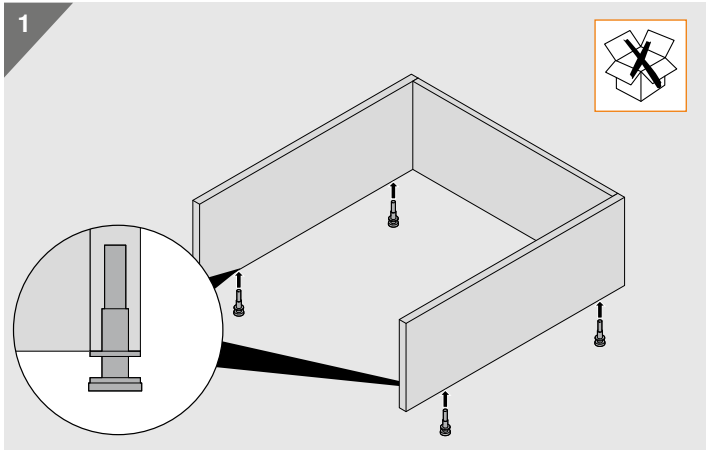
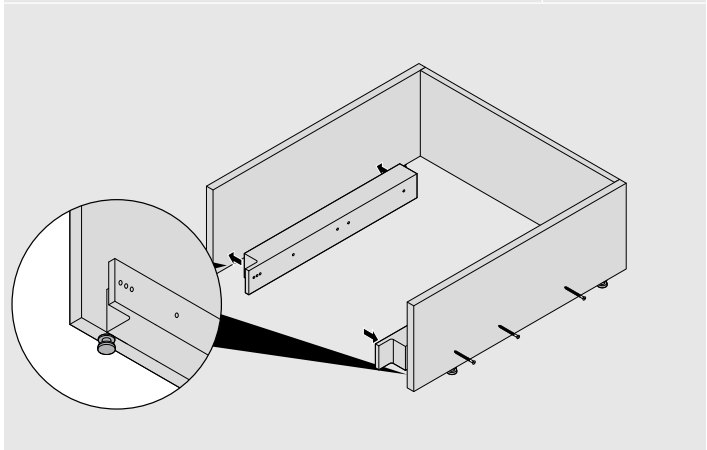
Assembly

Dimensions – wood cabinet profile/runner spacer

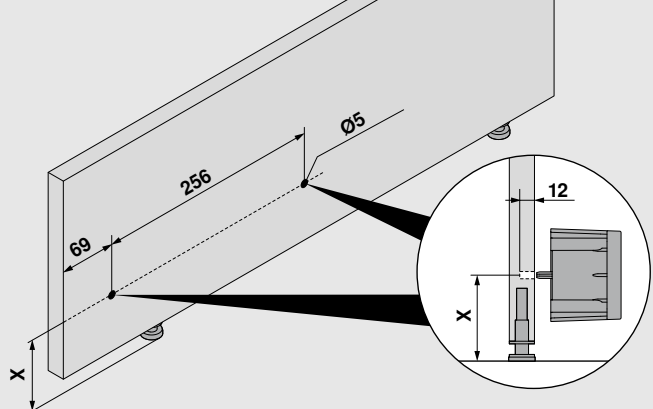


In-house manufacturing (not provided by Blum)

	X
LEGRABOX	50 mm
MERIVOBX	65 mm
TANDEMBOX	50 mm
MOVENTO TANDEM	50 mm

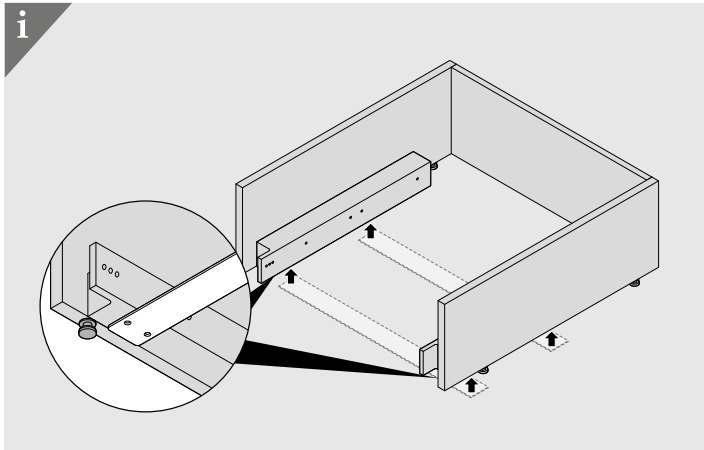
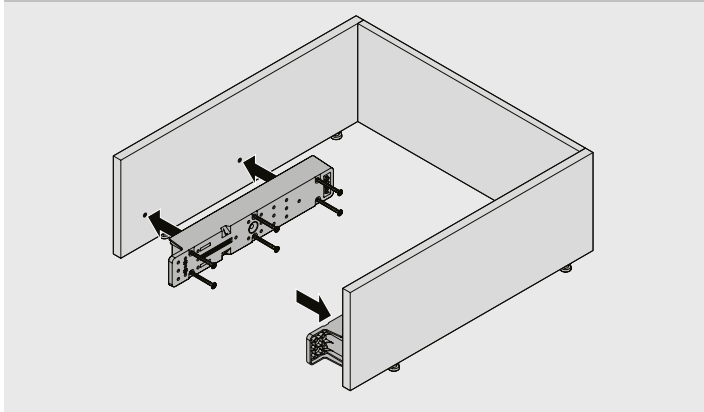


Dimensions – Blum cabinet profile/runner spacer

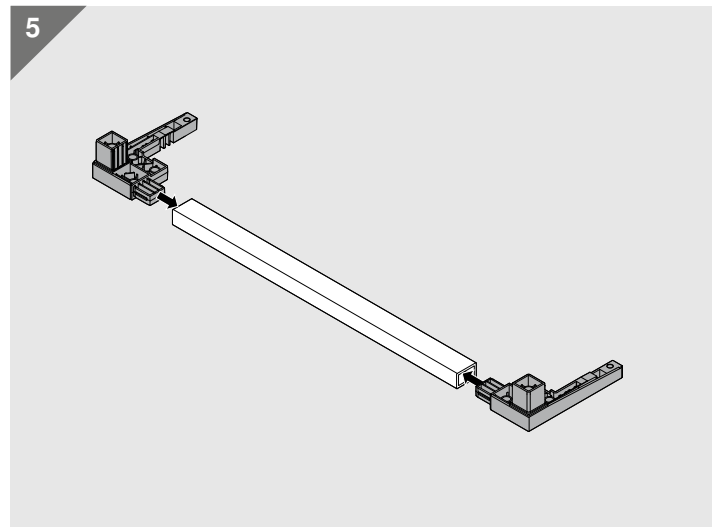
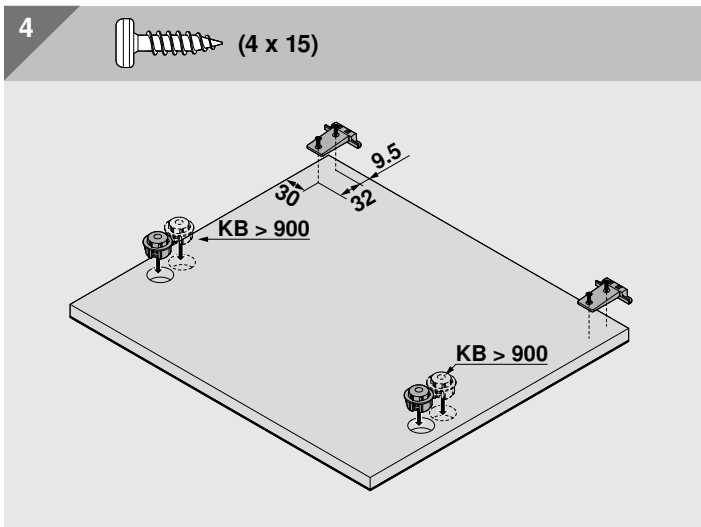
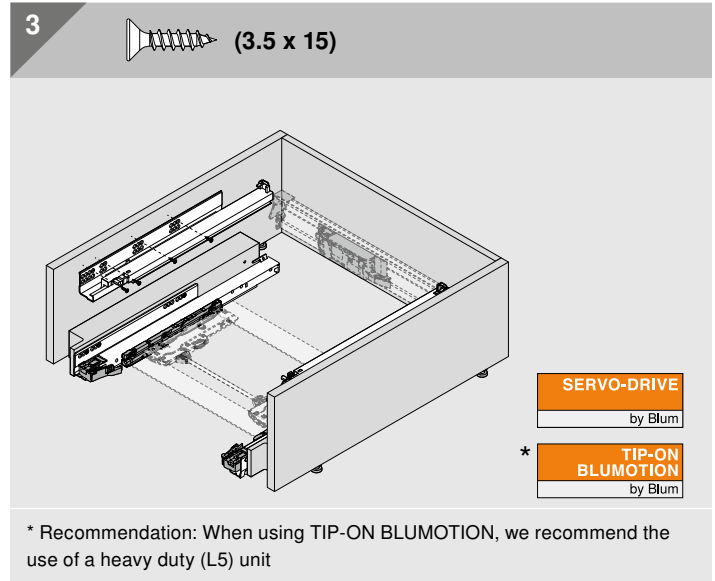
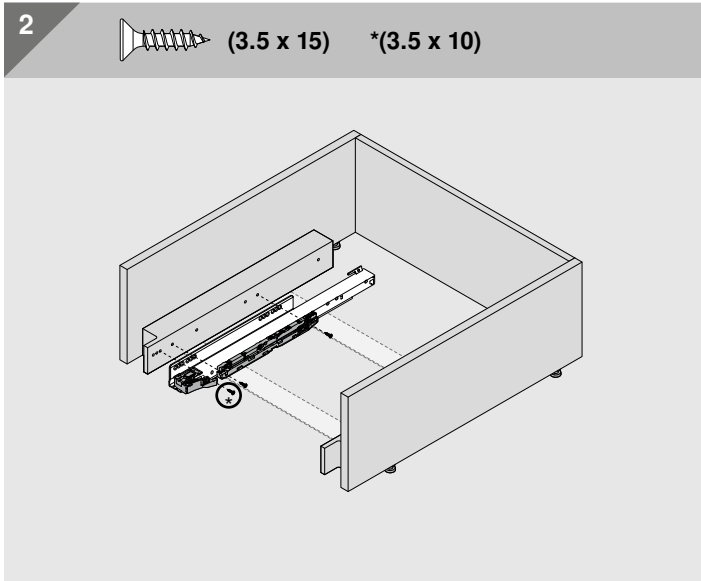
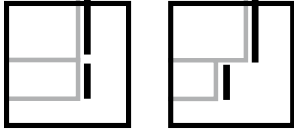


	X
LEGRABOX	53 mm
MERIVOBX	51 mm
TANDEMBOX	51 mm
MOVENTO TANDEM	53 mm

(3.5 x 60 / 4 x 60)

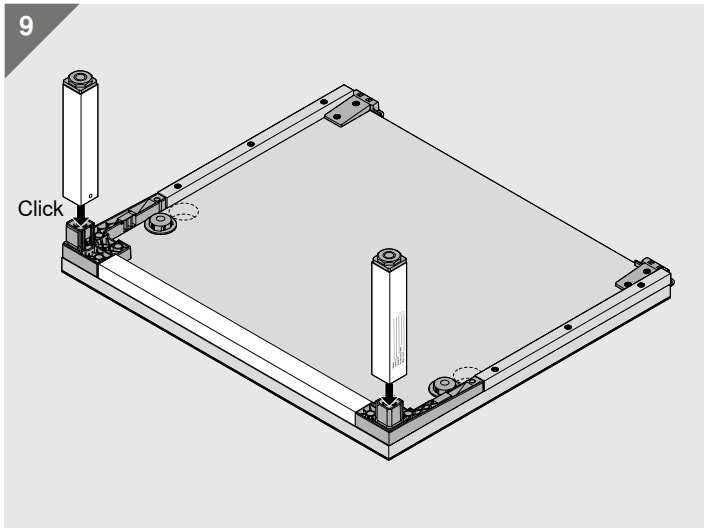
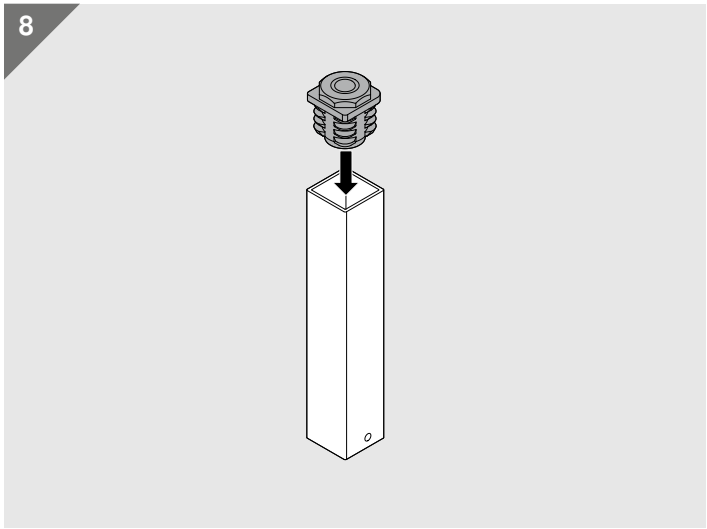
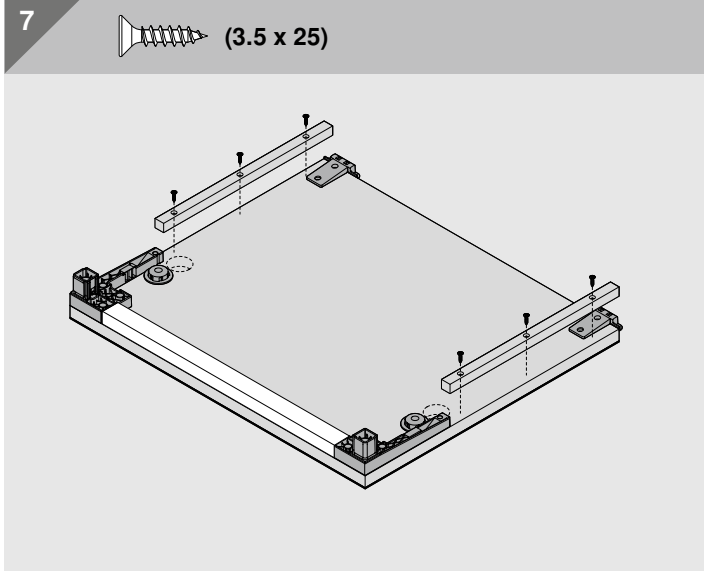
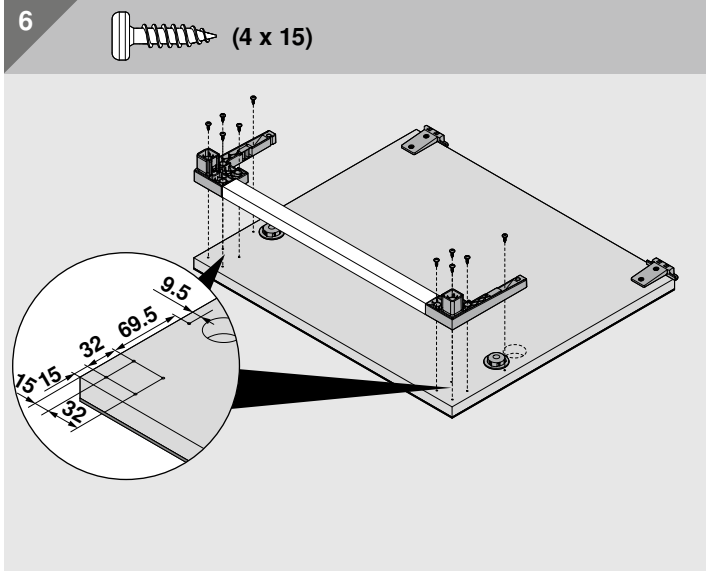


Assembly



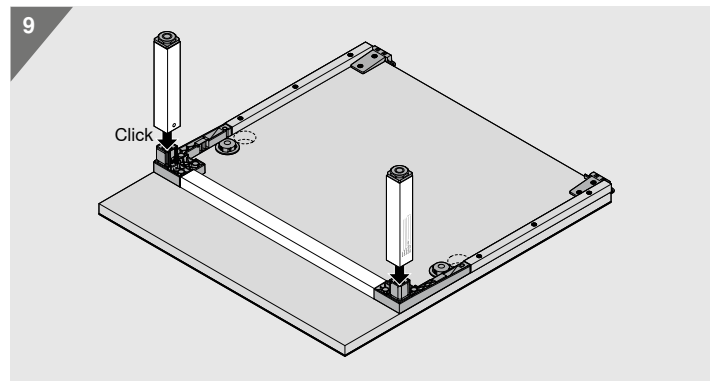
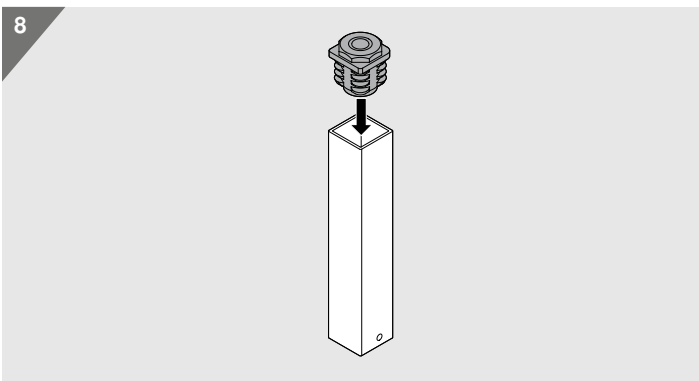
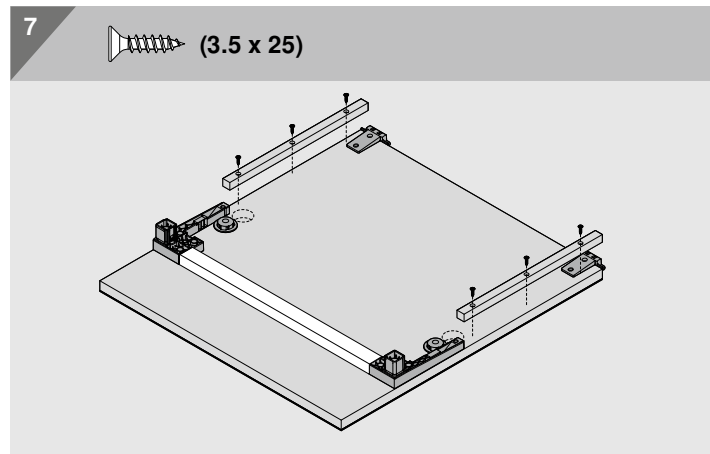
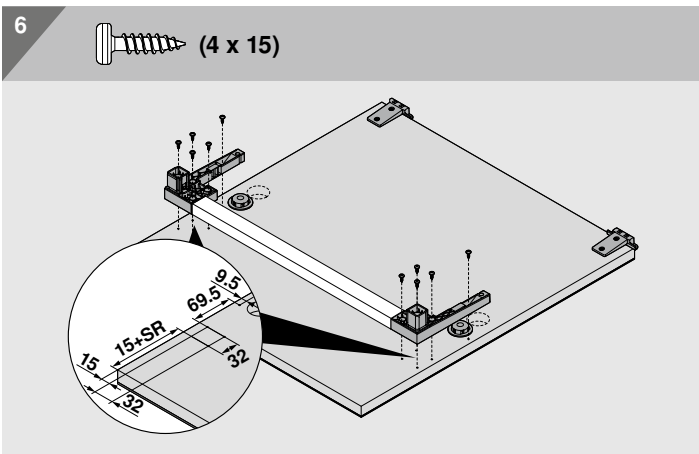
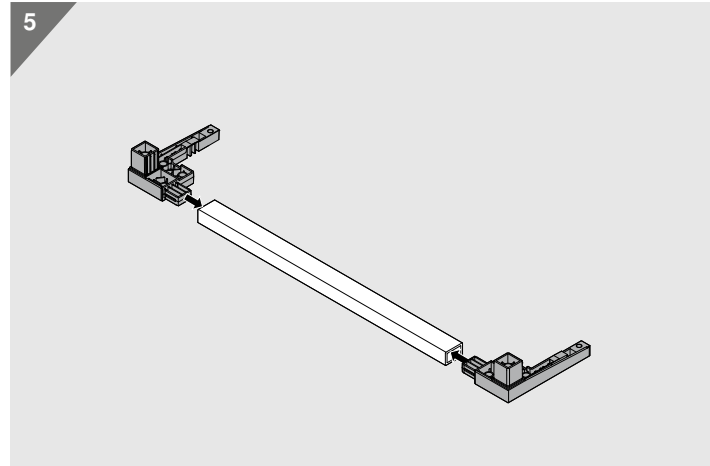
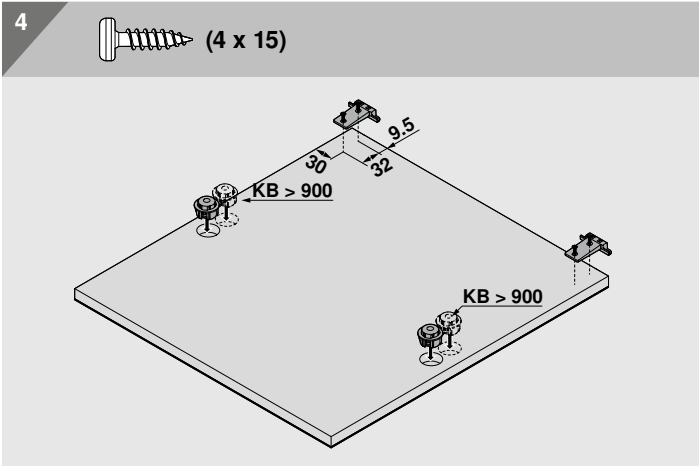
KB = Outside cabinet width

Assembly



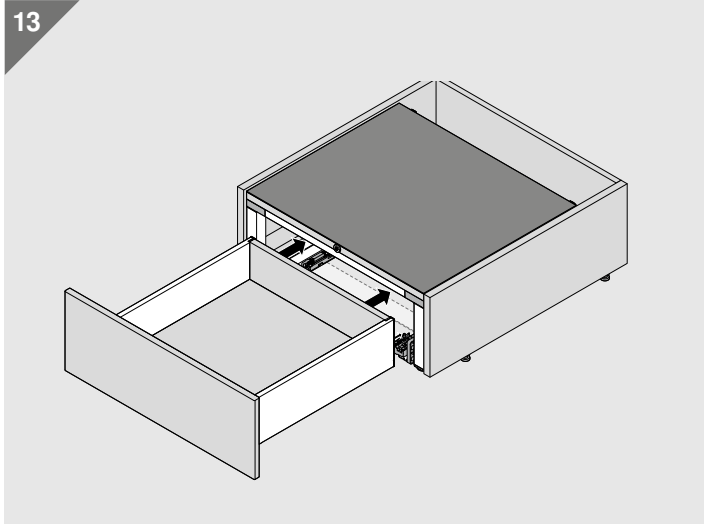
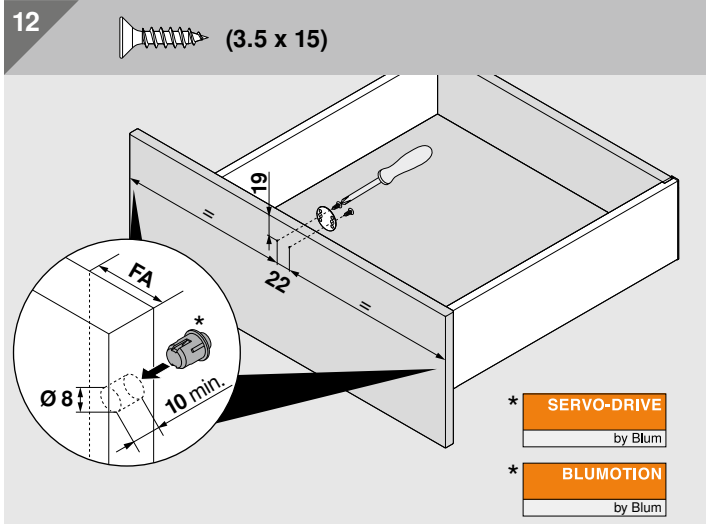
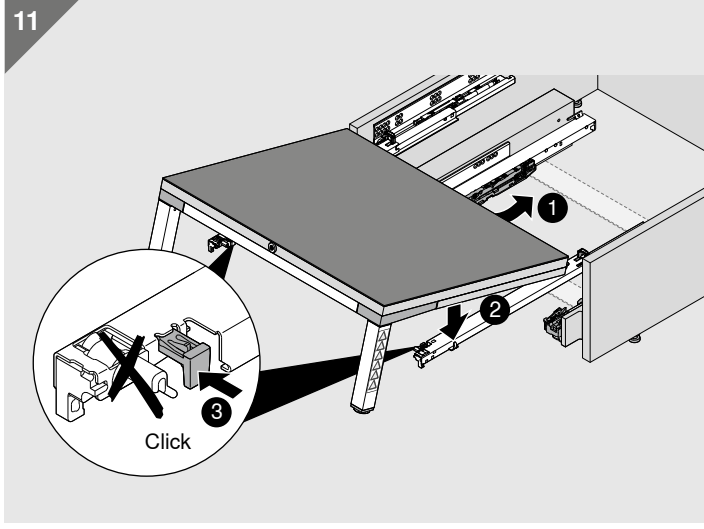
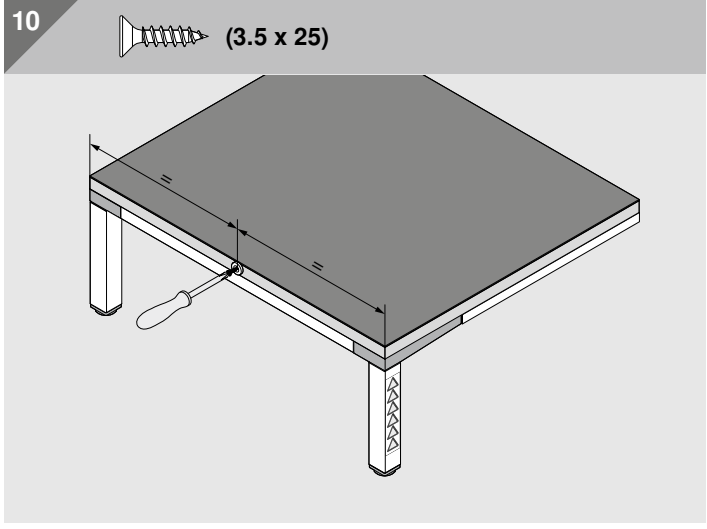
KB = Outside cabinet width

Assembly

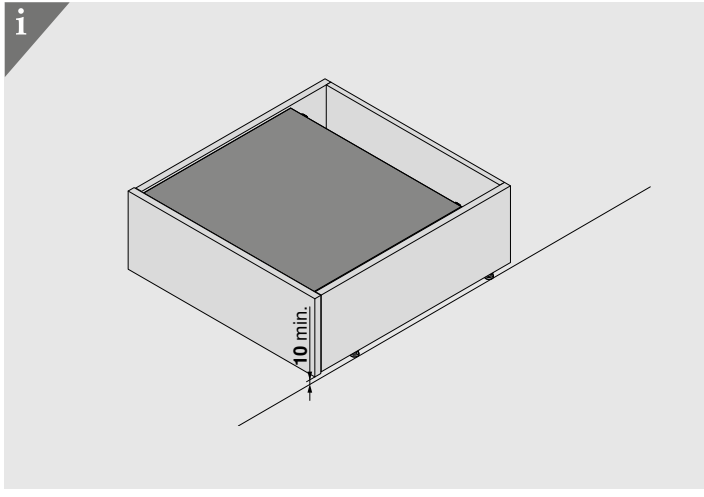
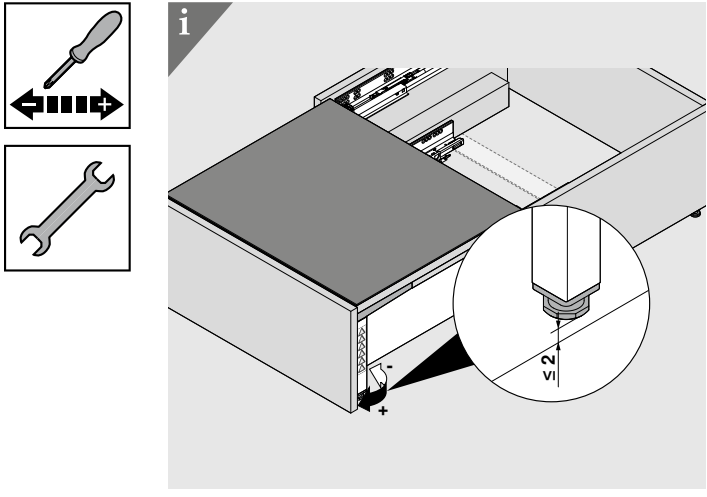


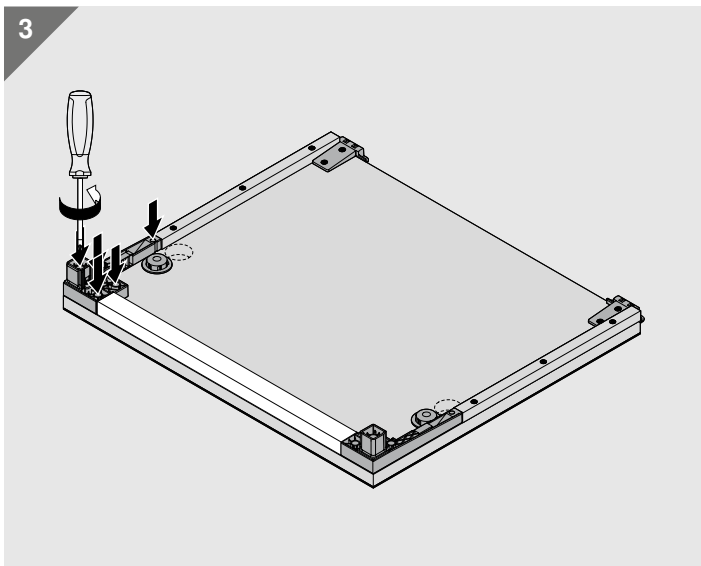
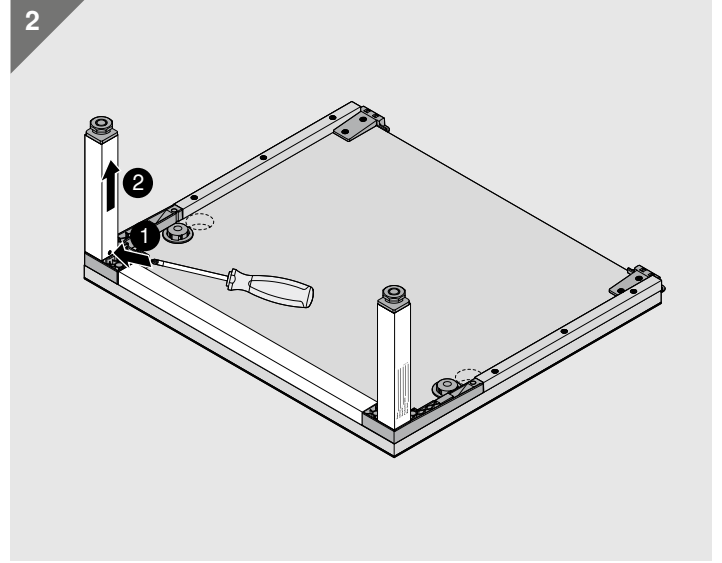
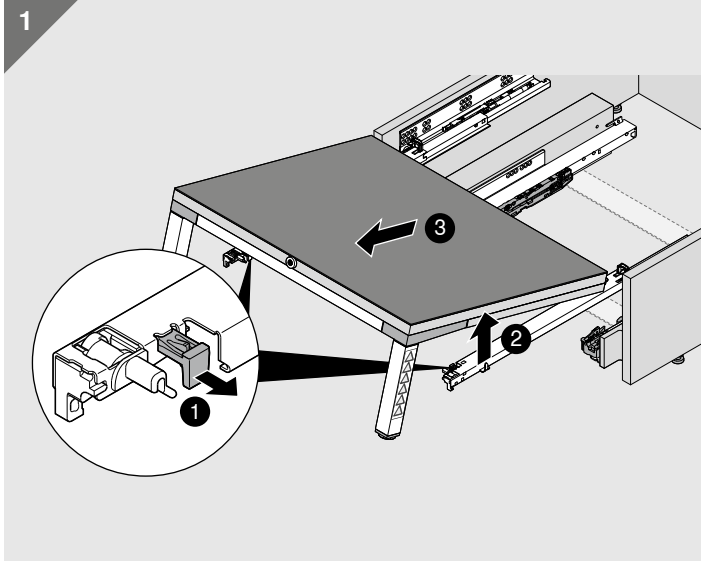
KB = Outside cabinet width
 SR = Toe kick recess

Assembly



Support foot adjustment



Removal







moving ideas

At Blum, we pay attention to those small, but valuable, details. We're attentive in everything we do. With our carefully engineered hardware, innovative motion technologies and customized services, we help move your ideas forward. Let's move the world together.



Quality of living

We engineer our products with your lifetime in mind. As your mobility needs change, Blum hardware keeps your cabinets accessible.



Product range

Everything from a single source: Our wide range of products allows you to keep up with the trends of today and tomorrow.



Inspiration

We monitor global trends and strive to create the solutions of tomorrow. We like to share our insights with you.



Innovation

We stay in motion. Our curiosity and pioneering spirit drive us to develop new products and services for you.



Services

We support your daily operations with customized services tailored to your processes.



Quality

We continuously strive to improve our products, services and ourselves.



Trust

It's our goal to build lasting relationships with our customers, employees and in our community.

Julius Blum started our journey in 1952 with horseshoe studs. Today we supply innovative hardware to customers in over 120 countries.

Please visit blum.com for information on other Blum products
LIT.SPA110.03.24 © 2024 Blum, Inc.

Blum, Inc.
7733 Old Plank Rd.
Stanley, NC 28164
800-438-6788
blum.com

